
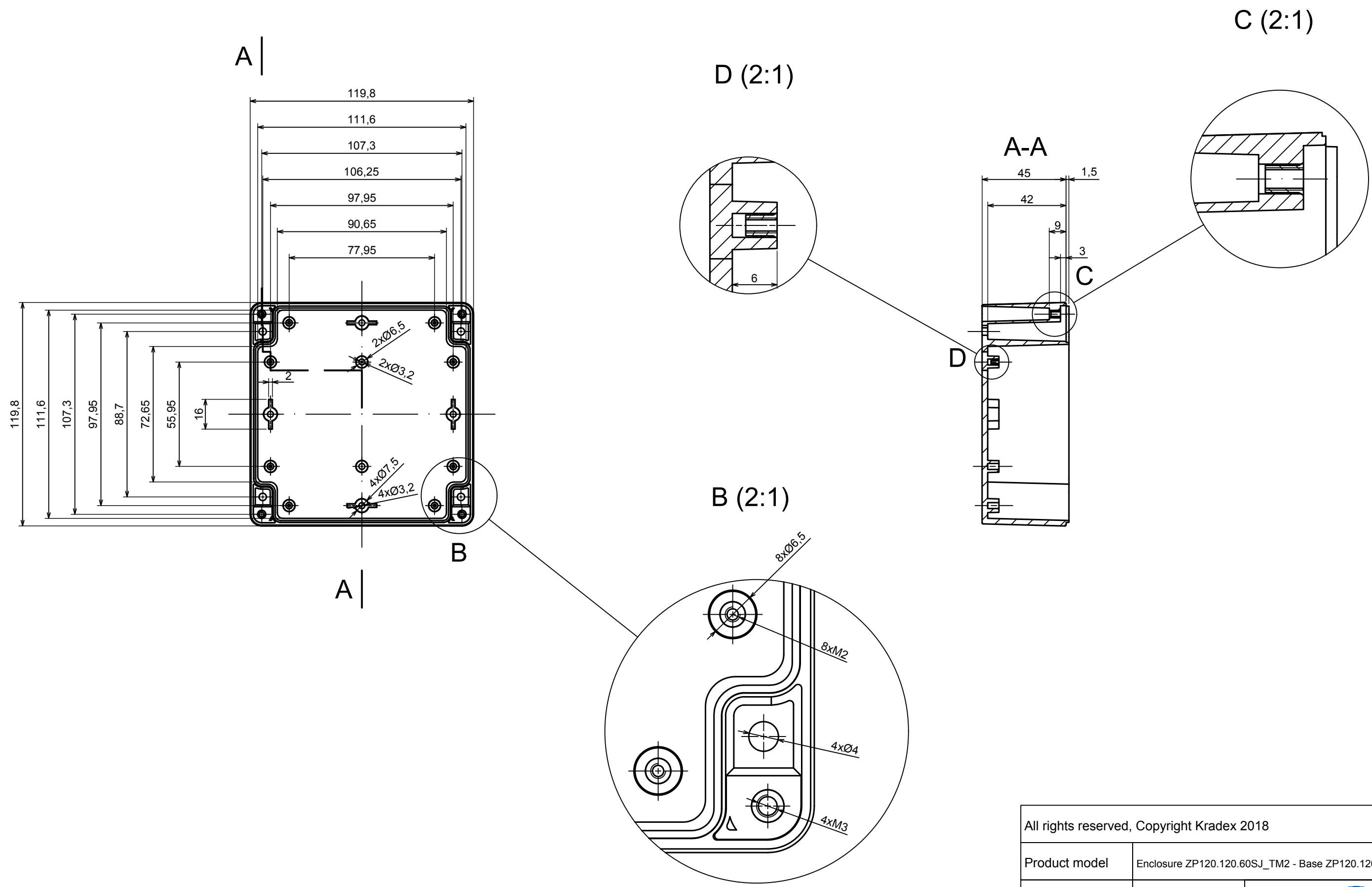
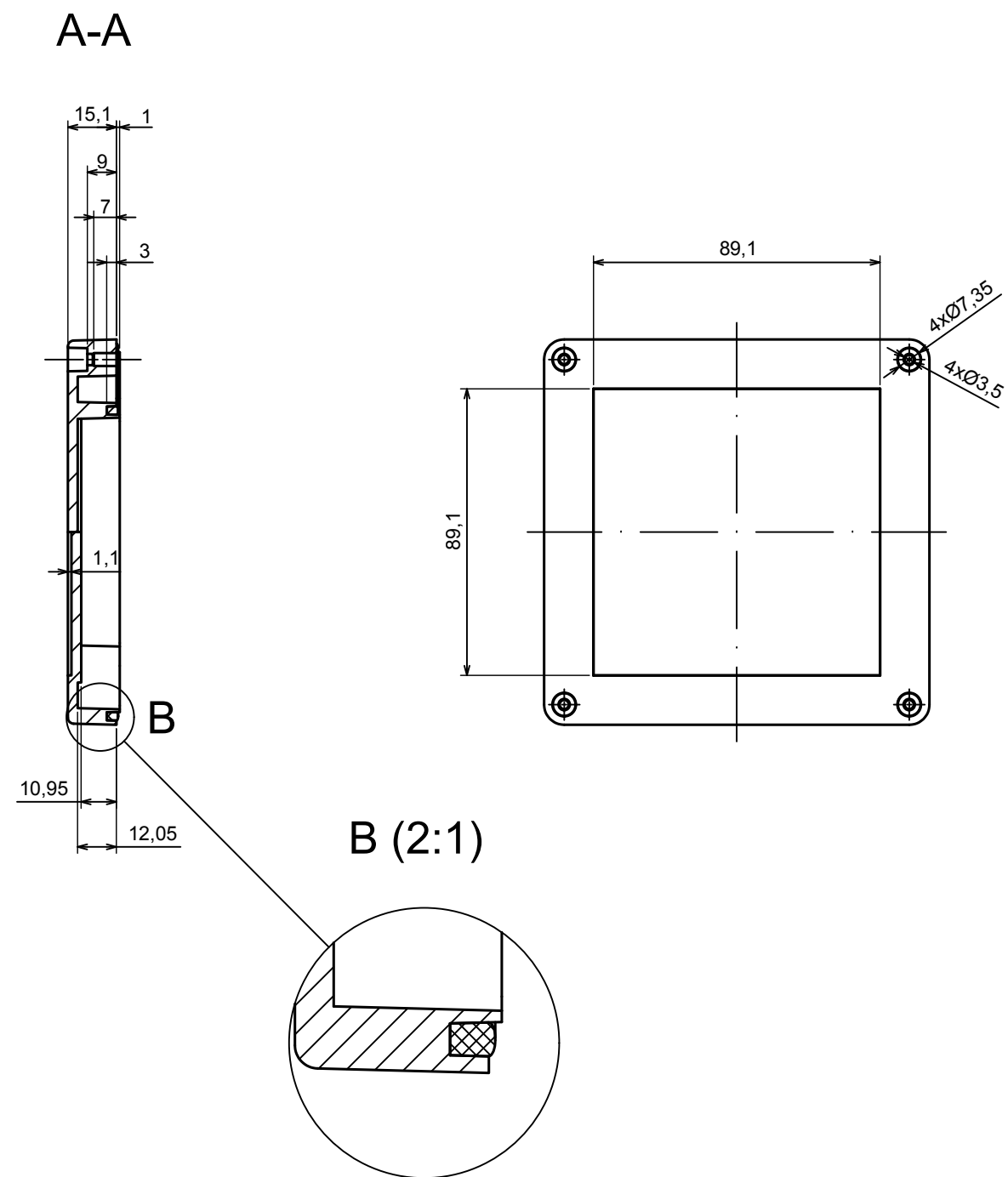
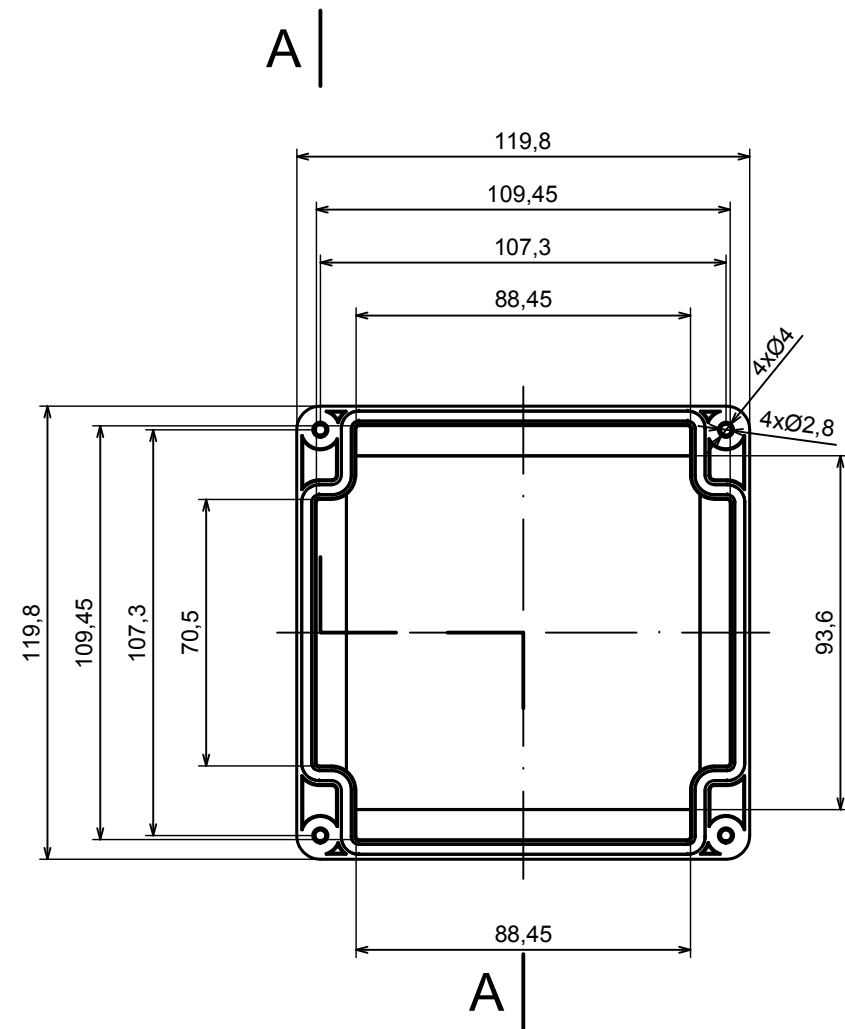


All rights reserved, Copyright Kradox 2018		
Product model	Enclosure ZP120.120.60SJ_TM2 - Assembly	
Format: A3	Material: PC, ABS	
Scale 1:1	Tolerance: +/- 0.6	



All rights reserved, Copyright Kradox 2018	
Product model	Enclosure ZP120.120.60SJ_TM2 - Base ZP120.120.45J_TM2
Format: A3	Material: PC, ABS
Scale 1:2	Tolerance: +/- 0.6





All rights reserved, Copyright Kradox 2018

Product model: Enclosure ZP120.120.60SJ\_TM2 - Cover ZP120.120.15SJ

Format: A3      Material: PC, ABS

Scale 1:2      Tolerance: +/- 0.6

