
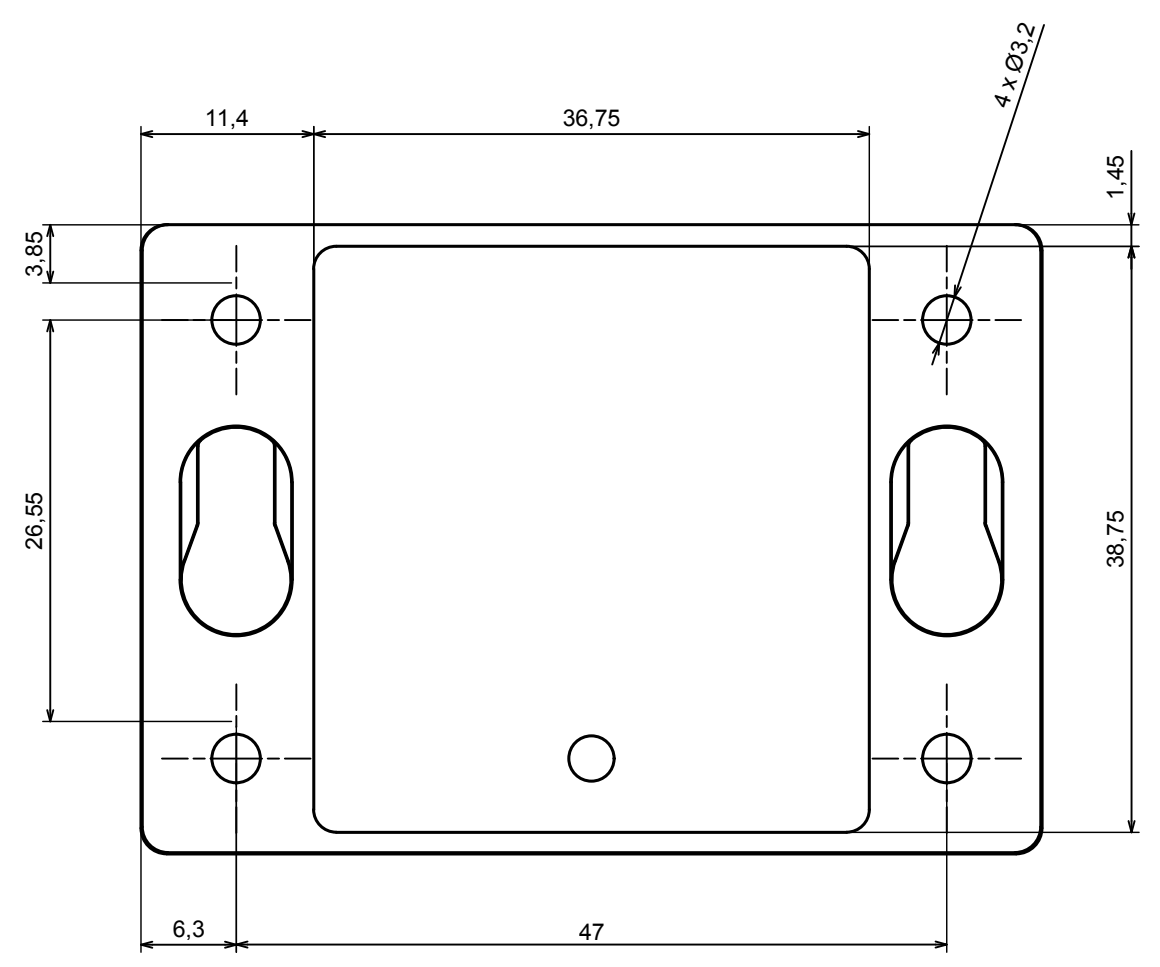
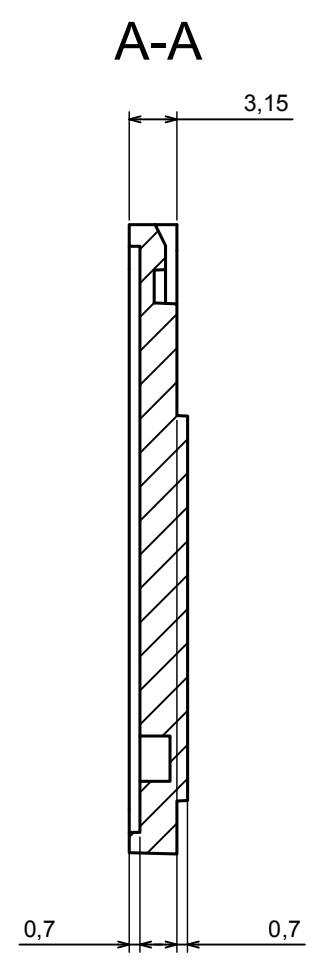
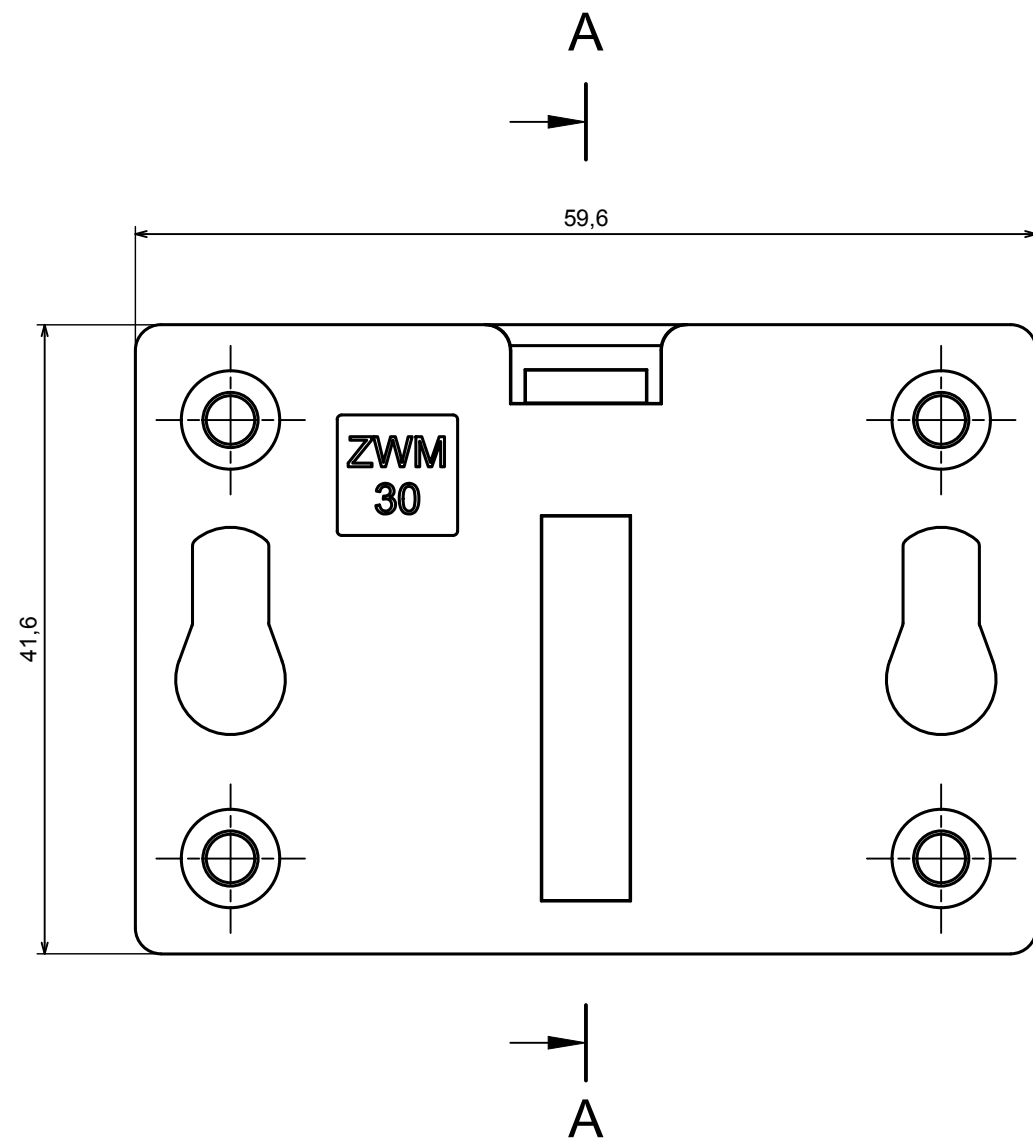

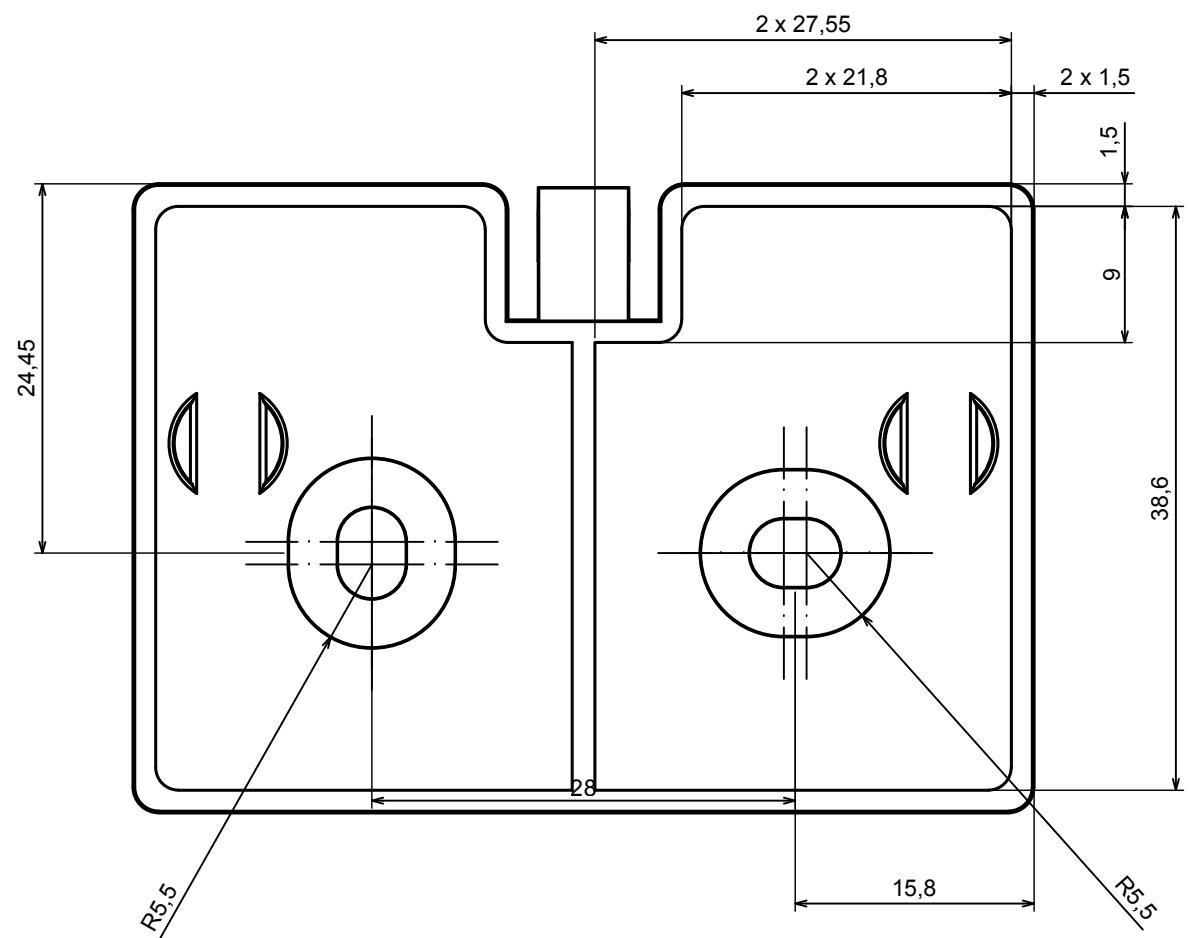
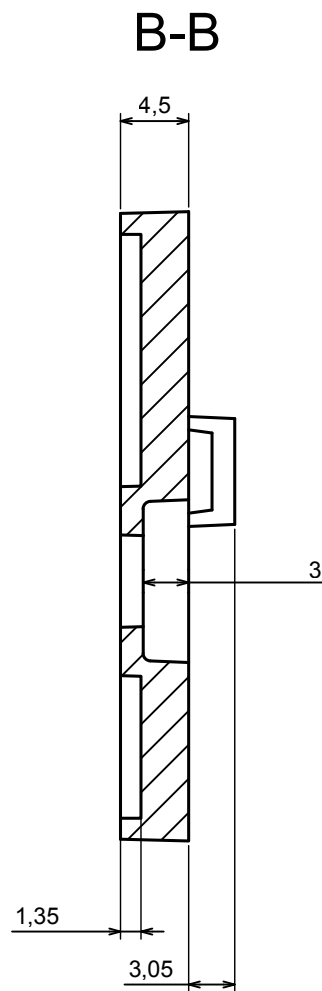
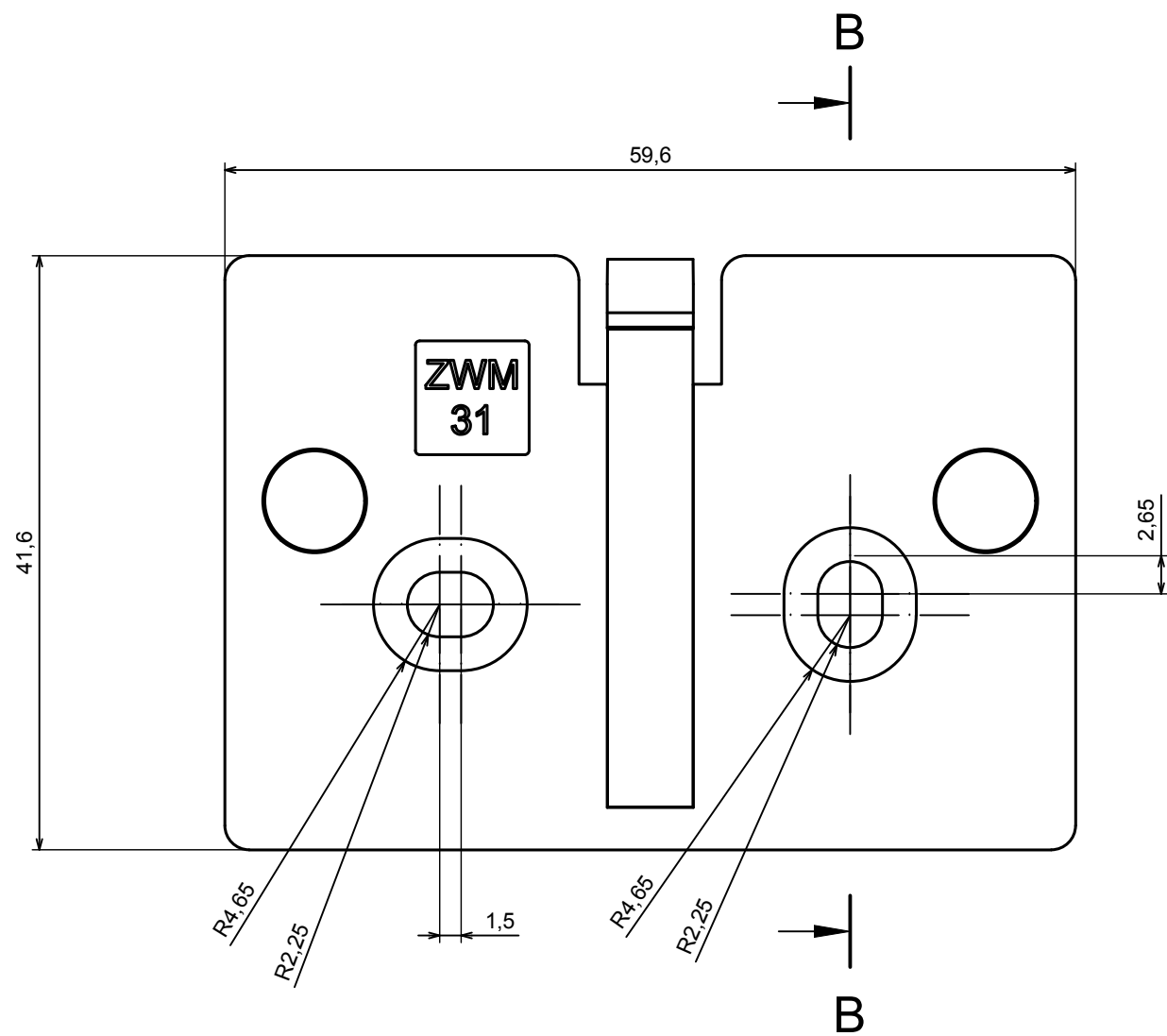


All rights reserved. Copyright Kradex 2019		
Product model	ZWM30-ZWM31 - Assembly	
Format: A3	Material: ABS	
Scale 2:1	Tolerance: +/- 0,5	



All rights reserved. Copyright Kradox 2019		
Product model	ZWM30	
Format: A3	Material: ABS	
Scale 2:1	Tolerance: +/- 0,5	



All rights reserved. Copyright Kradox 2019

Product model ZWM31

Format: A3 Material: ABS

Scale 2:1 Tolerance: +/- 0,5

