
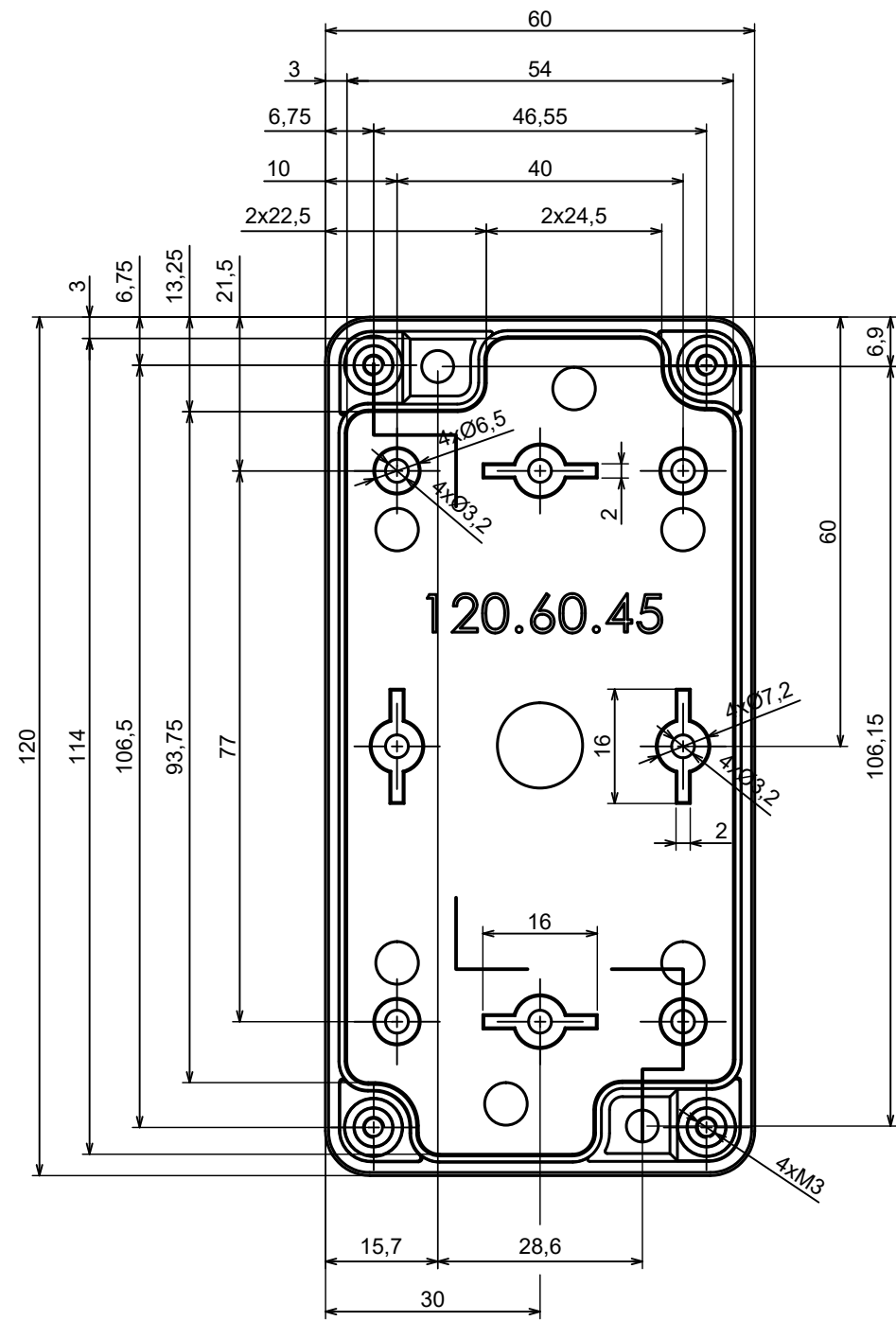


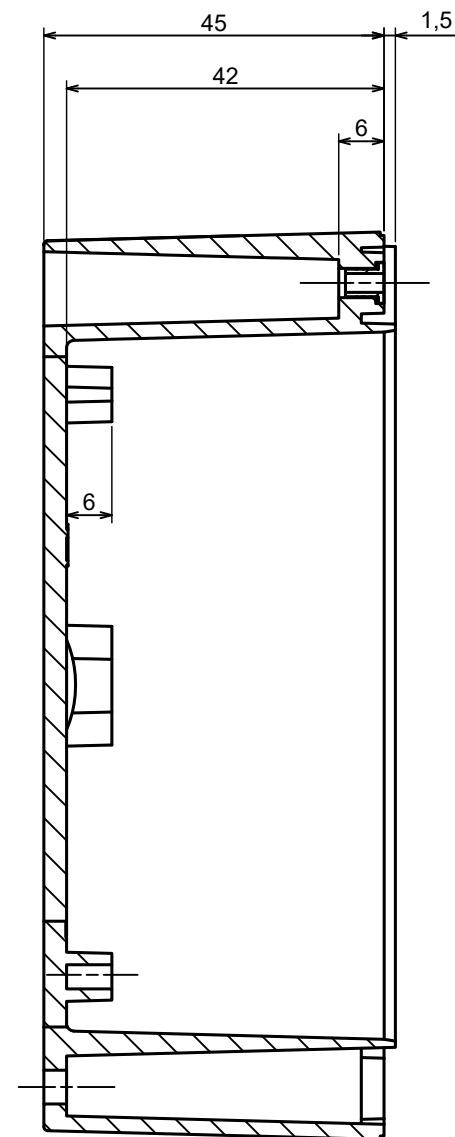
All rights reserved, Copyright Kradox 2024		
Product model	Enclosure ZP120.60.75 TM - Assembly	
Format: A3	Material: PC, ABS	
Scale 1:1	Tolerance: +/- 0.5	

B |



B |

B-B



All rights reserved, Copyright Kradox 2024

Product model

Enclosure ZP120.60.75 TM - Base ZP120.60.45 TM

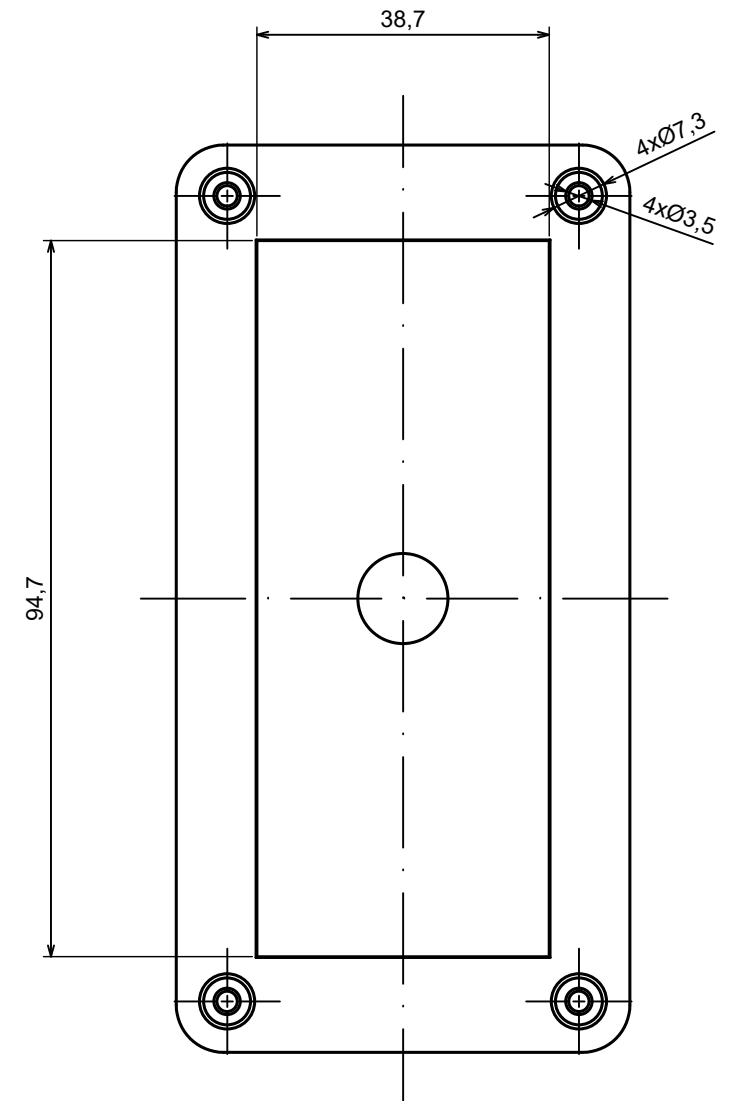
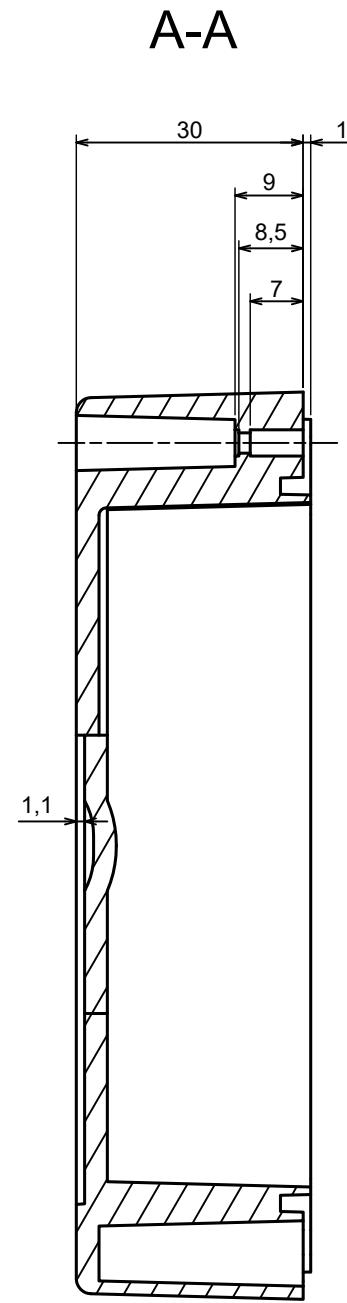
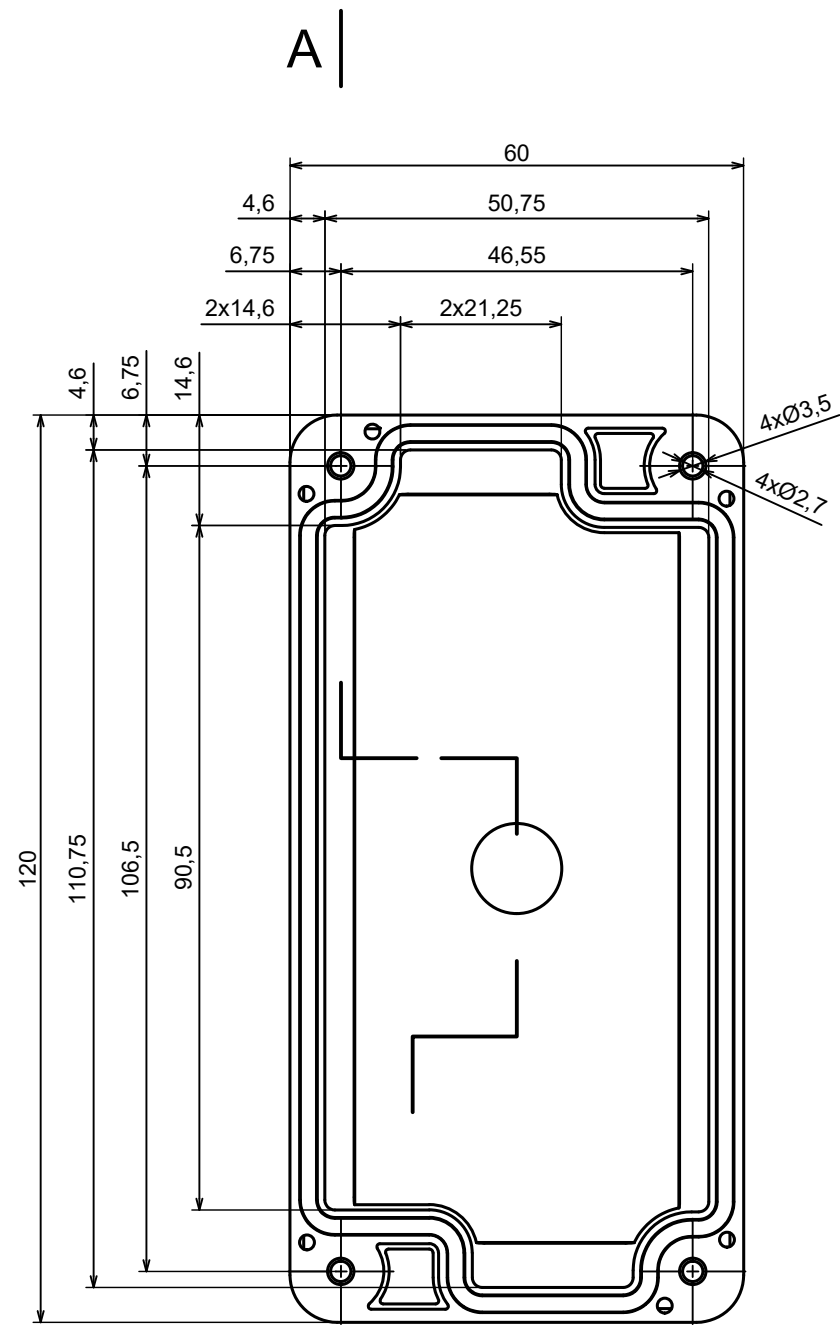
Format: A3

Material: PC, ABS

Scale 1:1

Tolerance: +/- 0.5





A |

All rights reserved, Copyright Kradex 2024

Product model

Enclosure ZP120.60.75 TM - Cover ZP120.60.30

Format: A3

Material: PC, ABS

Scale 1:1

Tolerance: +/- 0.5

