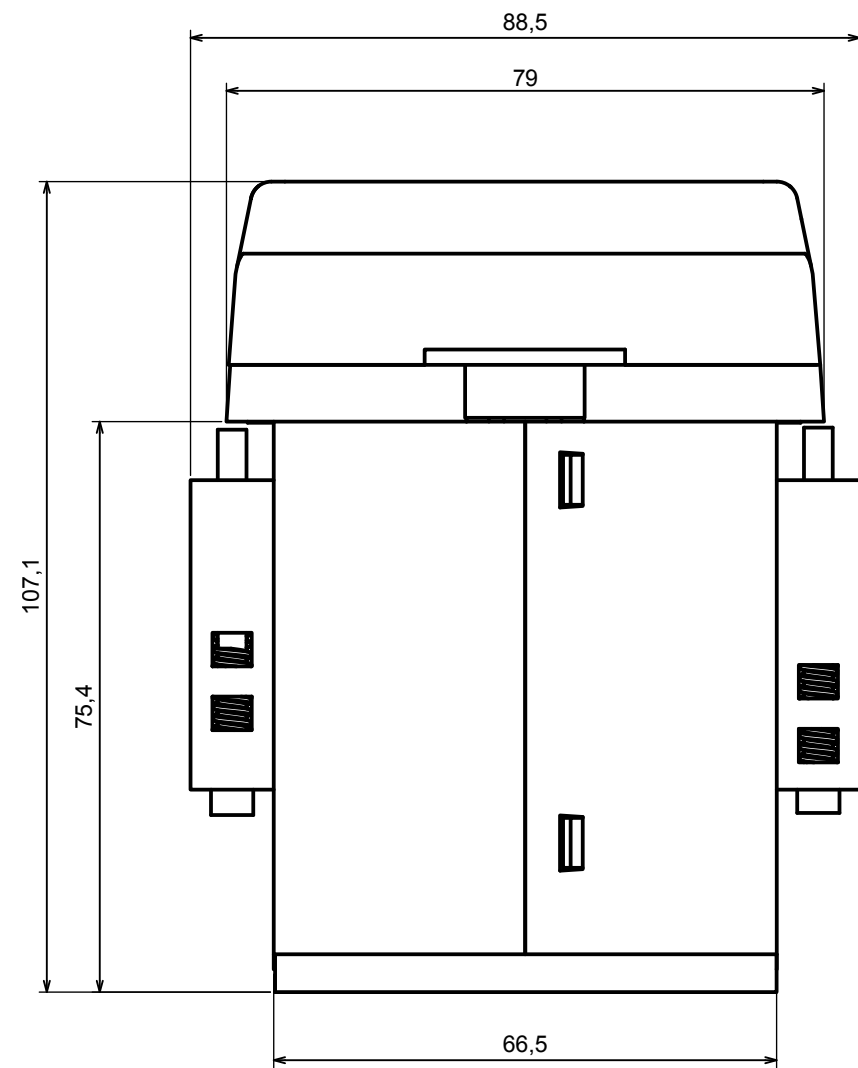
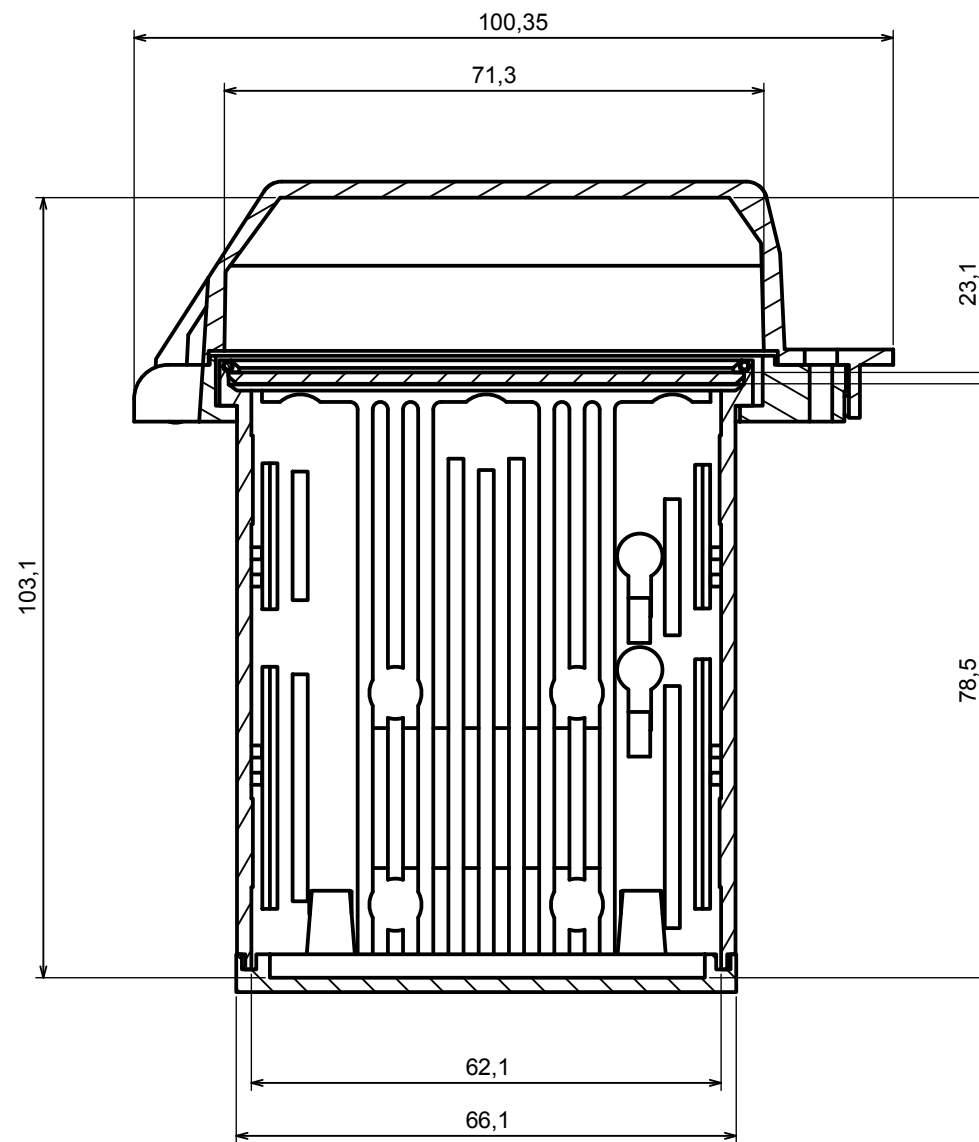


A |



A-A



A |

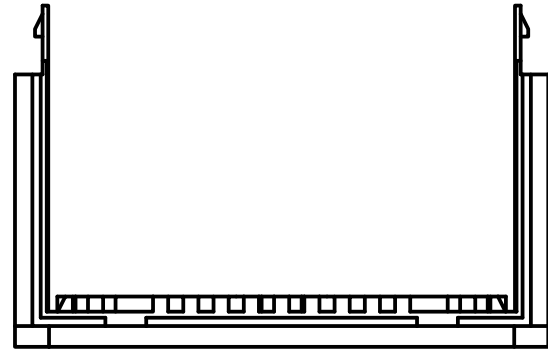
All rights reserved, Copyright Kradox 2017

Product model Enclosure Z114KP - Assembly

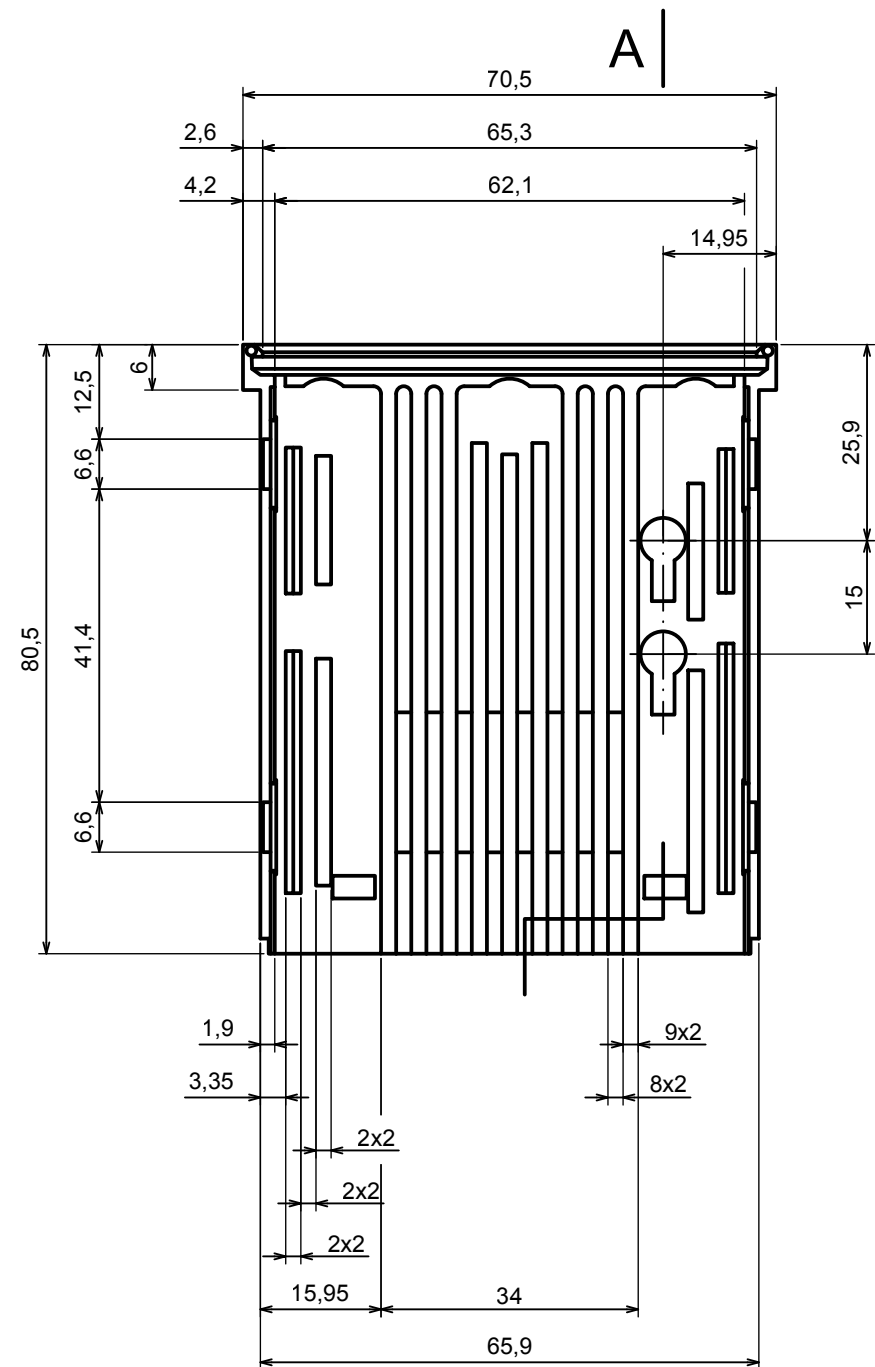
Format: A3 Material: PS, ABS

Scale 1:1 Tolerance: +/- 0.8

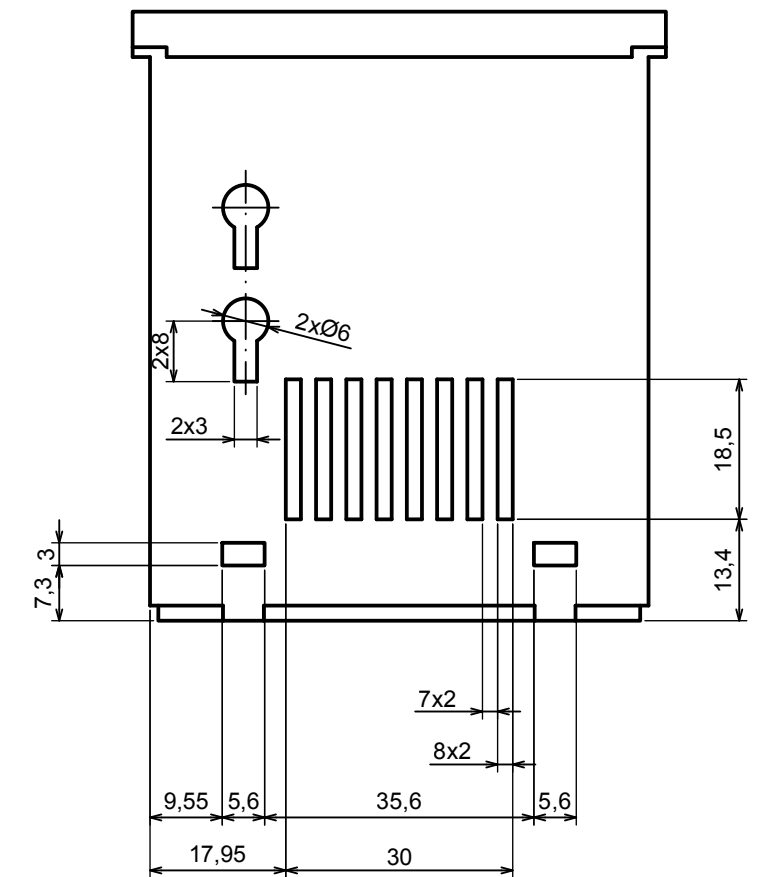
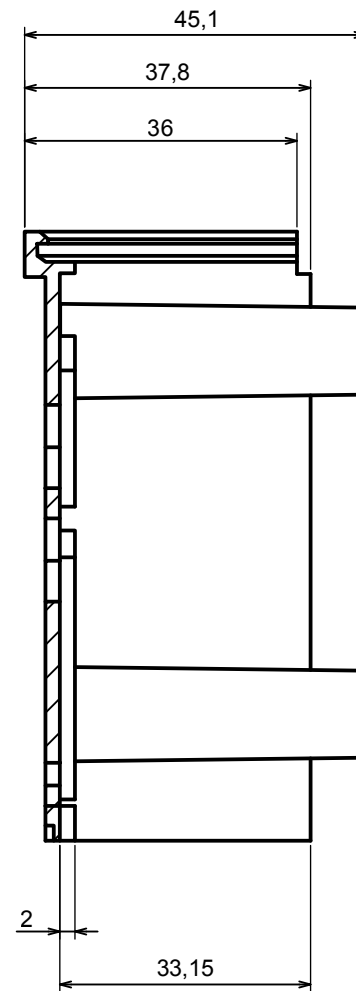




A-A



A |



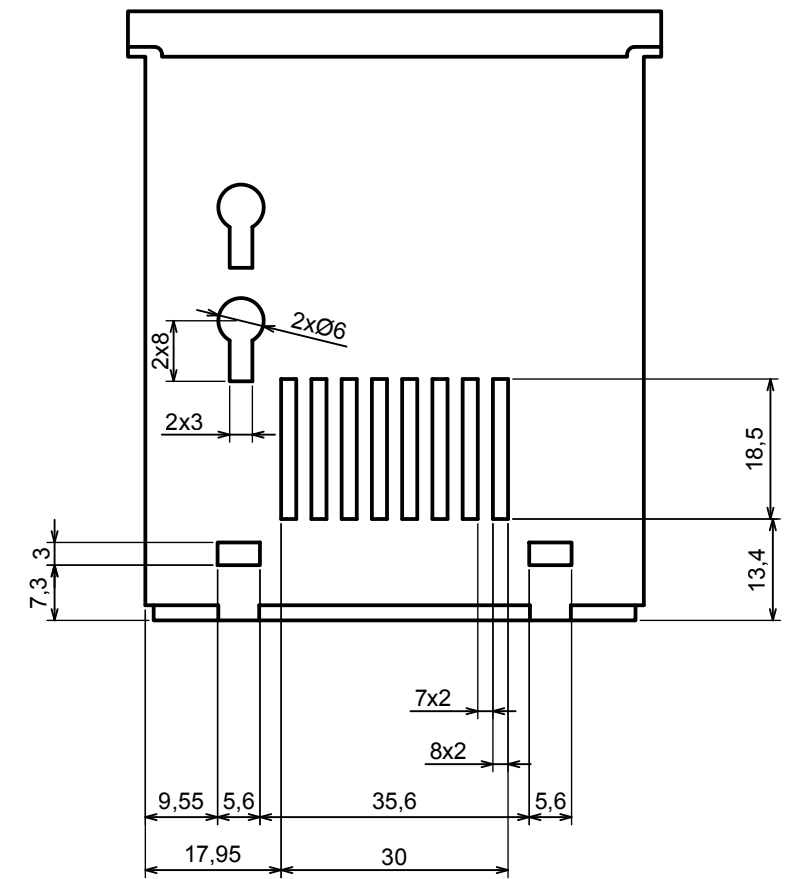
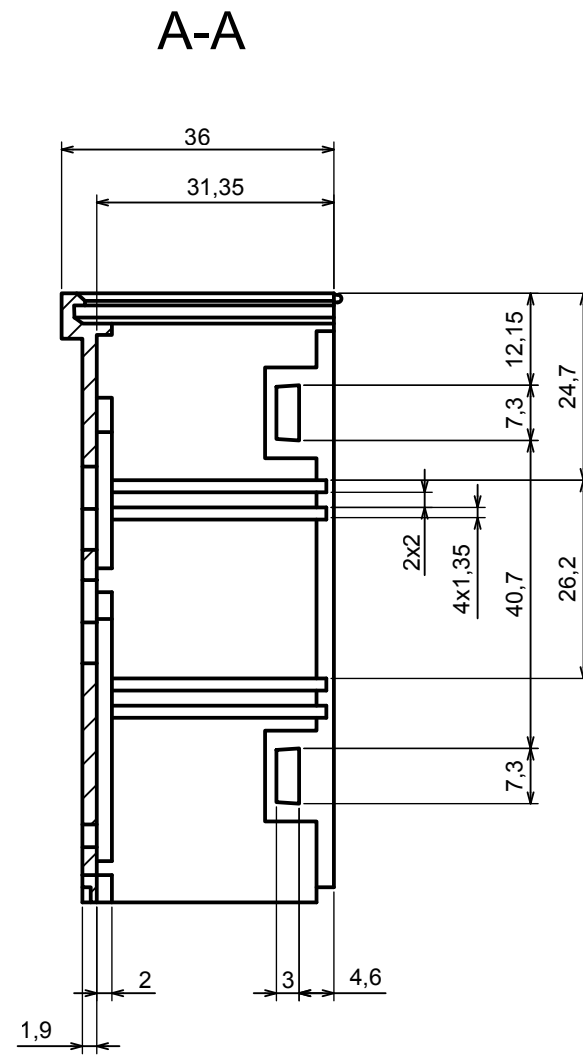
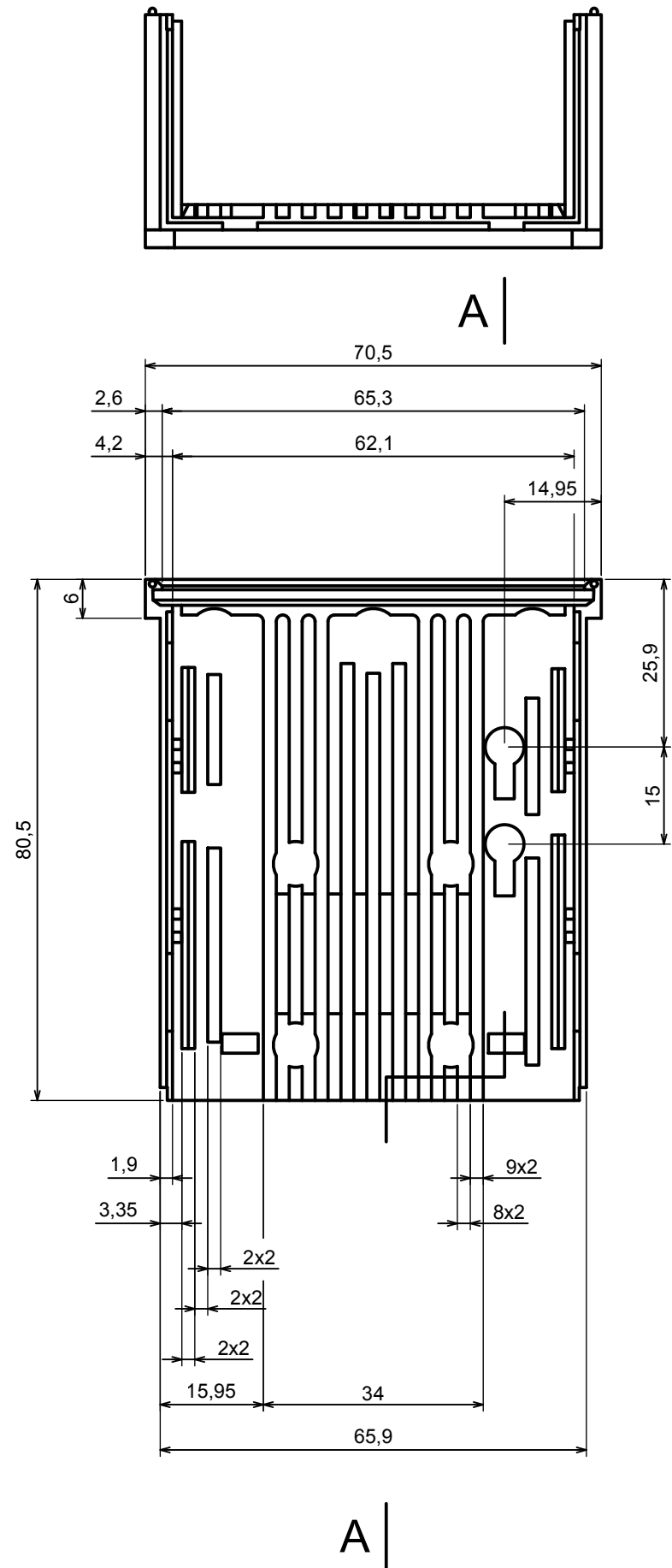
All rights reserved, Copyright Kradox 2017

Product model Enclosure Z114KP - Side A

Format: A3 Material: PS, ABS

Scale 1:1 Tolerance: +/- 0.8





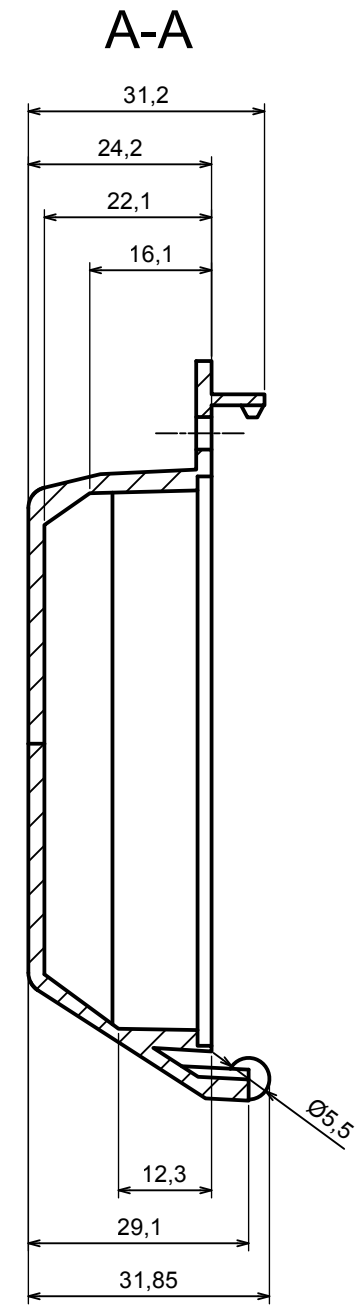
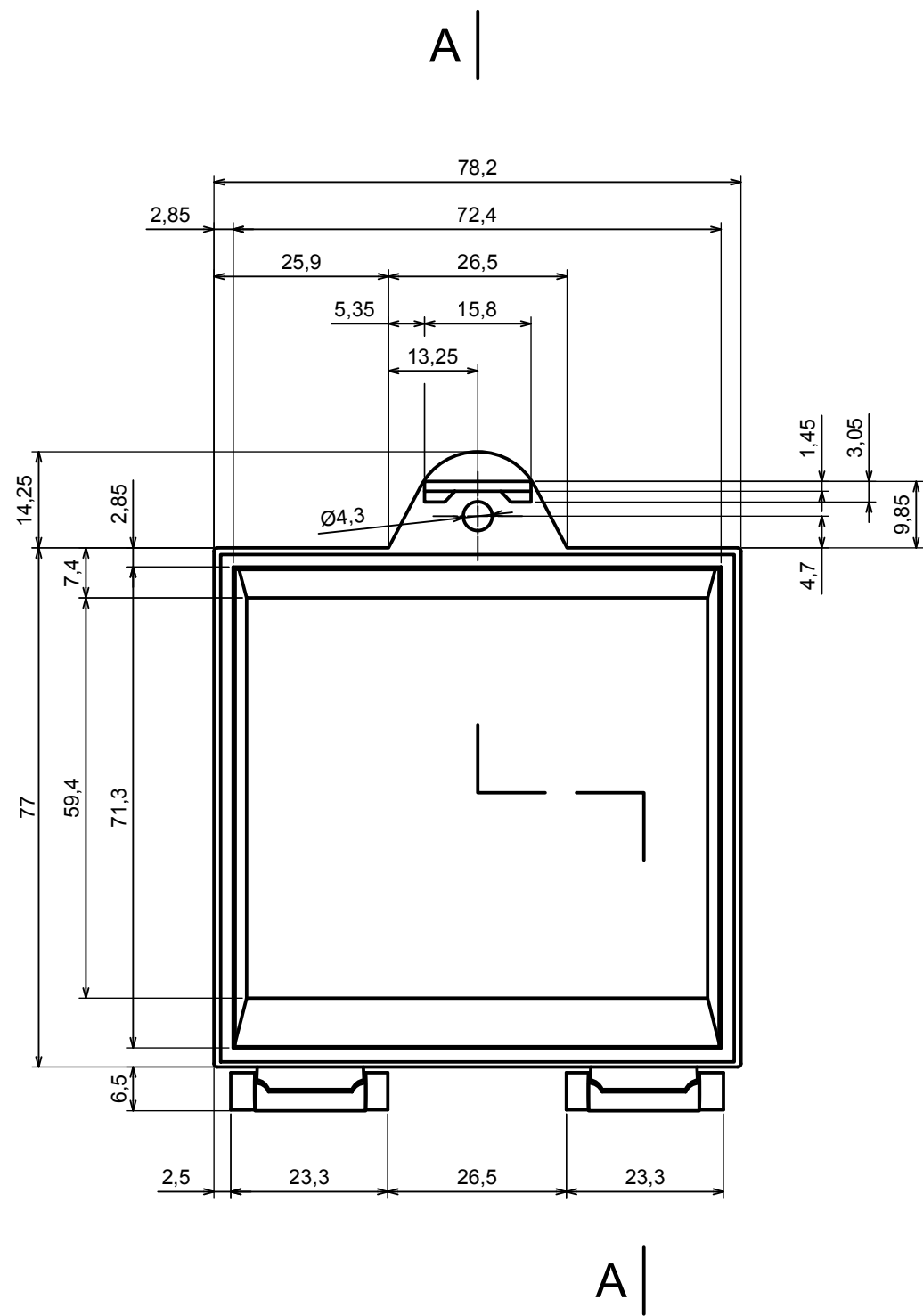
All rights reserved, Copyright Kradox 2017

Product model Enclosure Z114KP - Side B

Format: A3 Material: PS, ABS

Scale 1:1 Tolerance: +/- 0.8





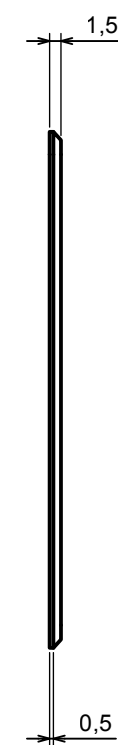
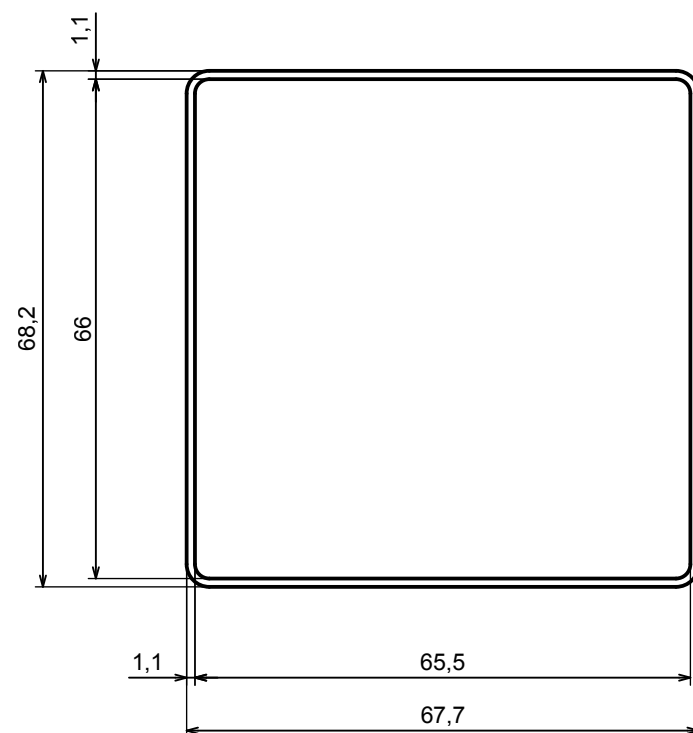
All rights reserved, Copyright Kradex 2017

Product model Enclosure Z114KP - Cover

Format: A3 Material: PS, ABS

Scale 1:1 Tolerance: +/- 0.8





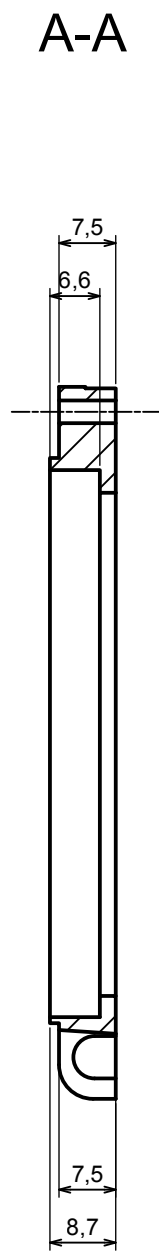
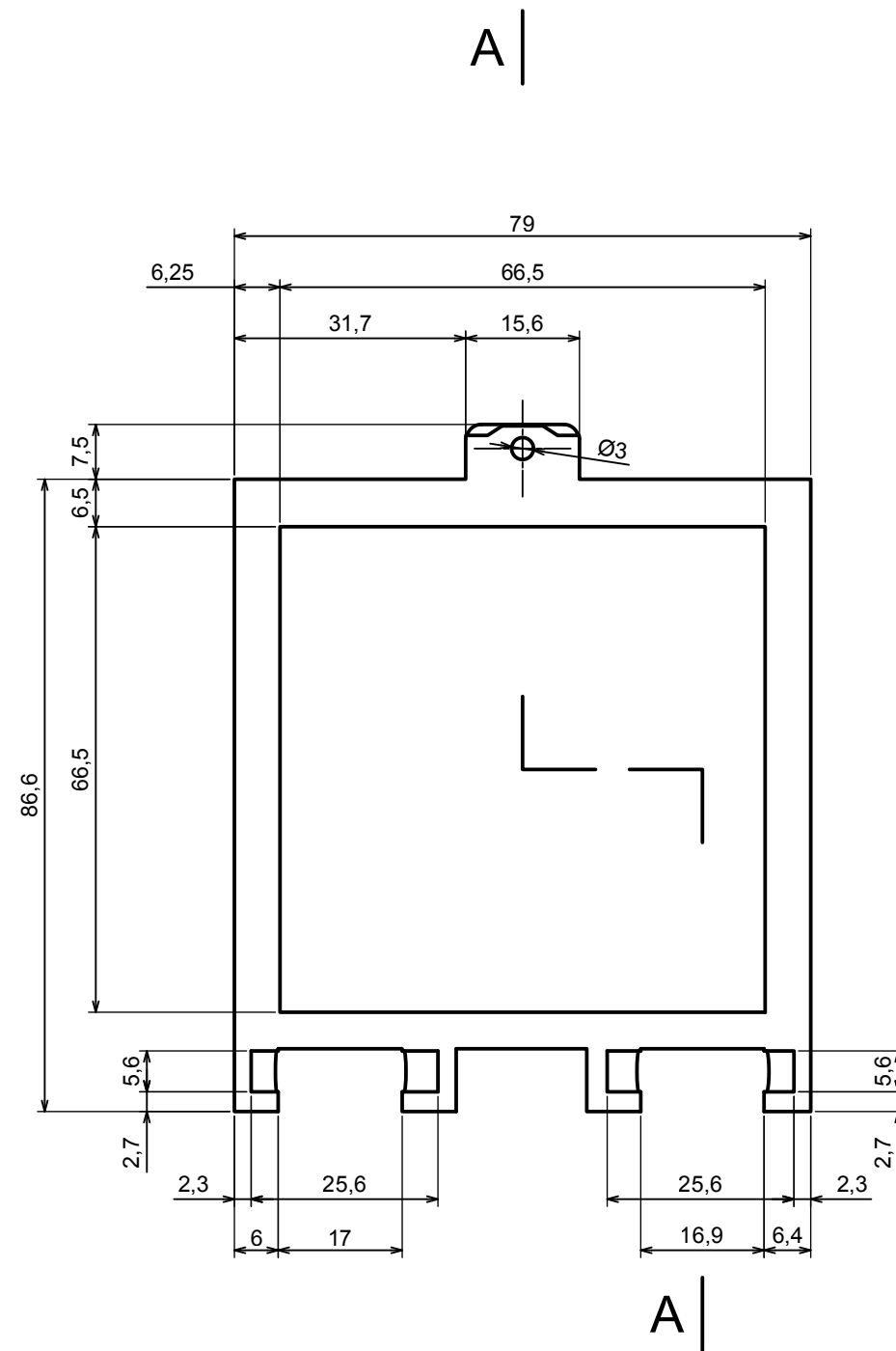
All rights reserved, Copyright Kradex 2017

Product model: Enclosure Z114KP - Front Panel

Format: A3 Material: PS, ABS

Scale 1:1 Tolerance: +/- 0.8





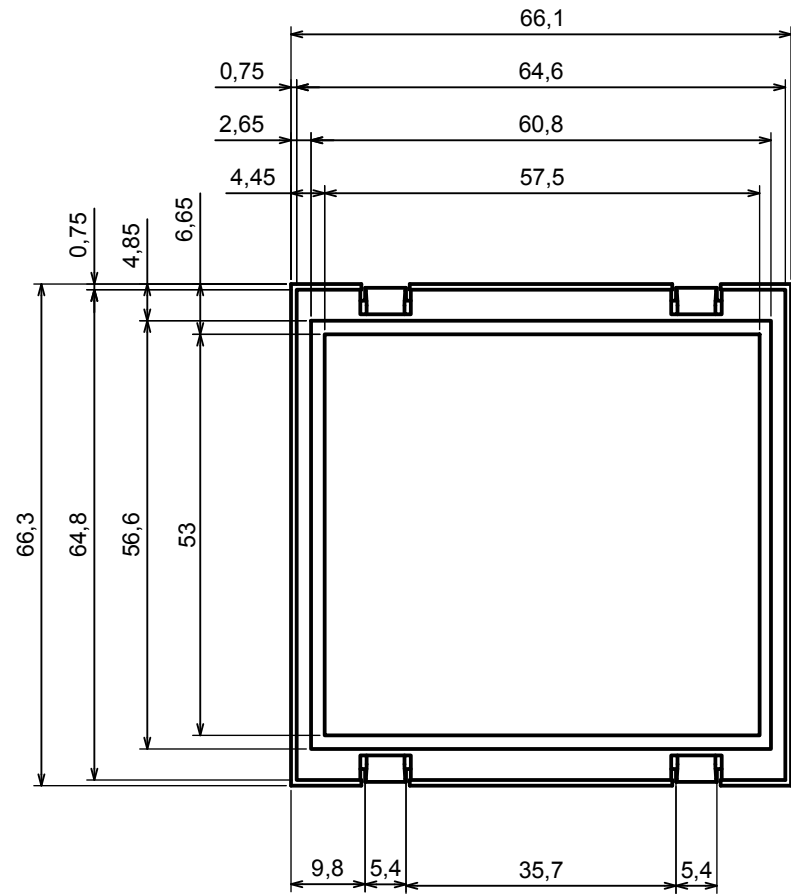
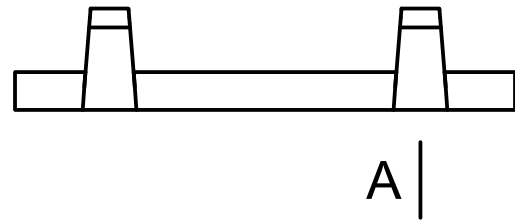
All rights reserved, Copyright Kradex 2017

Product model Enclosure Z114KP - Cover Frame

Format: A3 Material: PS, ABS

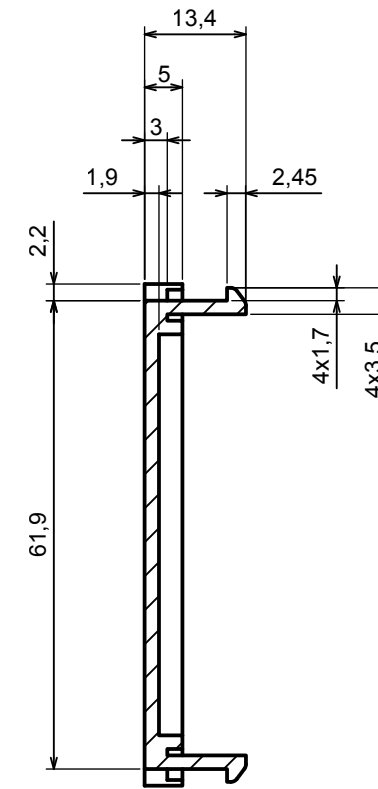
Scale 1:1 Tolerance: +/- 0.8





A |

A-A



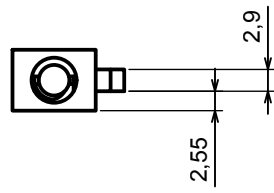
All rights reserved, Copyright Kradex 2017

Product model Enclosure Z114KP - Back panel

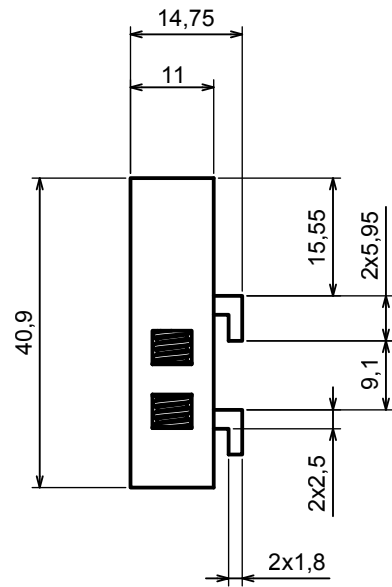
Format: A3 Material: PS, ABS

Scale 1:1 Tolerance: +/- 0.8



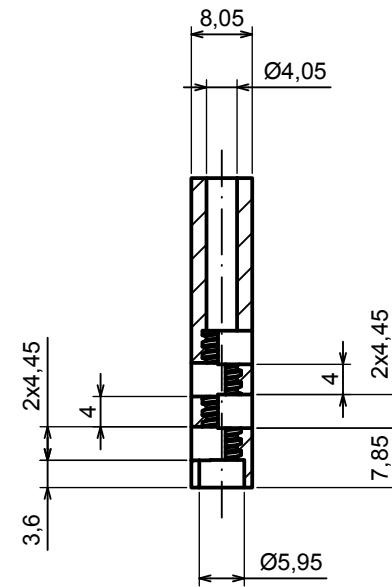



A |

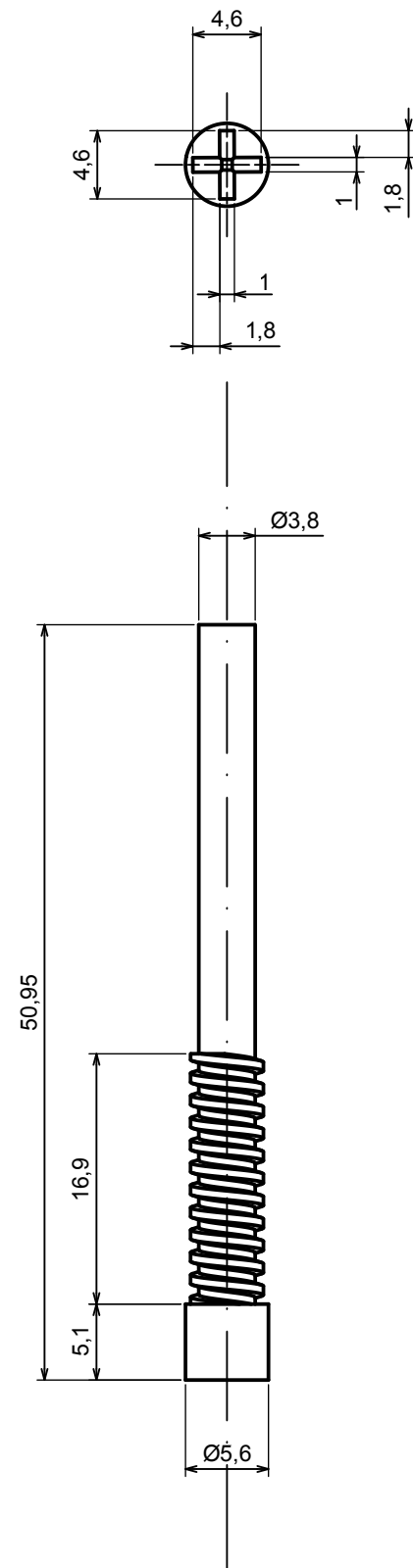


A |

A-A



All rights reserved, Copyright Kradex 2017		
Product model	Enclosure Z114KP - Hold	
Format: A3	Material: PS, ABS	
Scale 1:1	Tolerance: +/- 0.8	



All rights reserved, Copyright Kradex 2017

Product model	Enclosure Z114KP - Screw
---------------	--------------------------

Format: A3	Material: PS, ABS
------------	-------------------

Scale 2:1	Tolerance: +/- 0.8
-----------	--------------------

